

RX・REX SERIES

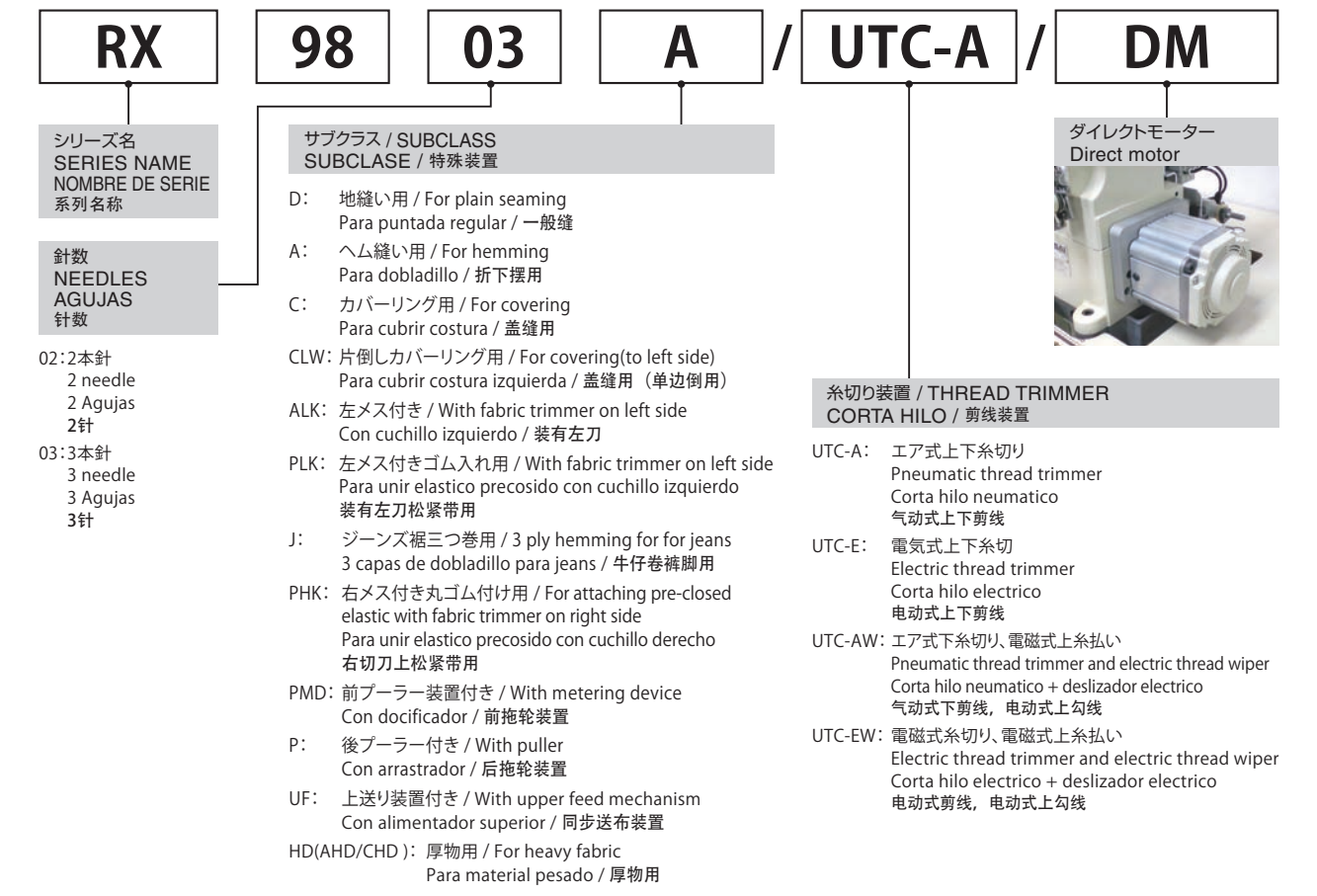
RXシリーズは、当社独自の設計によるセミシリンダー(外径280mm)、超高速・高性能両面飾り偏平縫いミシンです。1本針(ジーンズ裾三ツ巻き用)から4本針(RX9804D)まで、平縫い、かぶせ縫い、裾引き、ゴム付け、天ゴム付けなど、応用範囲の広いモデルです。また、用途によりプラー、右メス、左メスを装備したモデルもあります。(また、新モデルのREXは、下糸捌き機構をマシン外部に設置することにより、扱いやすさをさらに増しています。さらに5種類のゲージパーツを同梱した“MG”は、あらゆる用途に対応します。)

RX series is a high speed and high performance with top and bottom cover stitch machine of cylinder bed (circumference 280mm), which is uniquely designed by us. This series has wide range of models from 1 needle (for hemming of jeans) to 4 needle (RX9804D), and for various kinds of operations like plain stitching, covering, hemming, attaching elastic, attaching pre-closed elastic to men's briefs, and so on. Also, available for models equipped with puller, right knife, left knife, and so on. Stitch length can be adjusted by a push button easily (max. 4mm, 6 stitches/inch). A maximum sewing speed is 6000rpm, so the productivity will be upgraded. The latest line of REX that has just been introduced has the looper thread take-up cam outside of the machine for easier handling. The new subclass MG includes 5 different gauges in 1 machine for various purposes

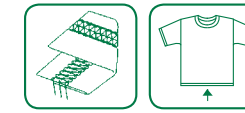
RX series alta velocidad, con recubridor superior y inferior, cama cilíndrica (circunferencia 280mm) diseñada por nosotros. Esta serie tiene varios modelos; de una aguja para ribete jeans y de 4 agujas (RX9804D). Se puede aplicar en varios como puntada regular -para cubrir ribete, pegar elastico, adaptar elastico en prendas pre-cerradas, y otras funciones. Tambien modelos con puler y cuchillos de izquierda y derecha, longitud de puntada facilmente se ajusta por medio del boton (max. 4mm, 6 puntadas/pulgada). Velocidade maxima de coser 6000rpm. Y, nuevo modelo "REX" realiza facil mantenimiento por "Mecanismo de levanta-hilo de garfio equipado fuera de maquina". Y tambien, la subclase "MG" viene con 5 tipos de aplicaciones para multi-operacion.

RX 系列是我公司独特设计的半筒式<外周 280mm>超高速,高性能两面绷缝的缝纫机。1针<牛仔裤卷边缝>4针绷缝,盖缝,卷边,松紧带缝等广范围的系列缝纫机。另外,新款的 REX 系列是根据打线器设定在外边,在它的附近发生的问题可容易解决。而且,装有5种的针位的MG系列可对应各种的用途

RXシリーズ 表示方法



RX9803A RX9803D



RX9803A



RX9803A

3本針両面飾りセミシリンダー型裾引き用ミシン

3 needle, cylinder bed, top and bottom cover stitch machine for hemming.

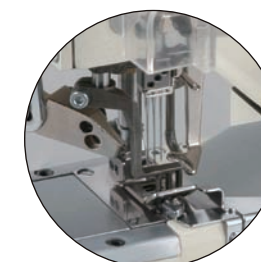
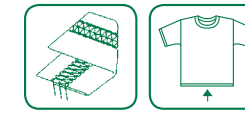
3 agujas, cama cilíndrica, recubridor superior y inferior para dobladillos.

3 针两面装饰, 筒式绷缝机



MODEL	No. of Needle	No. of Thread	Needle Type		Gauge (Inch)	No. of Stitch (Stitch/Inch)	Diff. Feed Ratio	Presser Foot Lift (mm)	Needle Bar Stroke (mm)	Max. Speed (rpm)
			Organ (#)	Schmetz (Nm)						
RX9802A RX9802D(W)	2	4	UYX128GAS 9~14	UYX128GAS 60~90	1/8, 5/32, 3/16, 7/32, 1/4	6~16	0.3~2.9	6	33	6000
RX9803A RX9803D(W)	3	5	UYX128GAS 9~14	UYX128GAS 60~90	7/32, 1/4	6~16	0.3~2.9	6	33	6000
※ RX9802A/UTC-A/E RX9802D(W)/UTC-AW/EW	2	4	UYX128GAS 9~14	UYX128GAS 60~90	1/8, 5/32, 3/16, 7/32, 1/4	6~16	0.3~2.9	6	33	6000
※ RX9803A/UTC-A/E RX9803D(W)/UTC-AW/EW	3	5	UYX128GAS 9~14	UYX128GAS 60~90	3/16, 7/32, 1/4	6~16	0.3~2.9	6	33	6000

RX9803A-UF/UTC



3本針上送り機構付きセミシリンダー型両面飾り裾引き用ミシン(自動糸切り装置付)

3 needle, cylinder bed, top and bottom cover stitch machine with upper feed mechanism for hemming.

Cama cilíndrica 3 agujas recubridor superior y inferior con alimentador superior para dobladillos.

3 针两面装饰, 筒式绷缝机

MODEL	No. of Needle	No. of Thread	Needle Type		Gauge (Inch)	No. of Stitch (Stitch/Inch)	Diff. Feed Ratio	Upper Feed Amount (mm)		Presser Foot Lift (mm)	Needle Bar Stroke (mm)	Max. Speed (rpm)
			Organ (#)	Schmetz (Nm)				←→	↑↓			
RX9802A-UF	2	4	UYX128GAS 9~14	UYX128GAS 60~90	3/16	8~16	0.3~2.9	1~7	3.5~6	6	33	5500
RX9803A-UF	3	5	UYX128GAS 9~14	UYX128GAS 60~90	7/32, 1/4	8~16	0.3~2.9	1~7	3.5~6	6	33	5500
※ RX9802A-UF/UTC-A/E RX9802A-UF/UTC-AW/EW	2	4	UYX128GAS 9~14	UYX128GAS 60~90	3/16	8~16	0.3~2.9	1~7	3.5~6	6	33	5500
※ RX9803A-UF/UTC-A/E RX9803A-UF/UTC-AW/EW	3	5	UYX128GAS 9~14	UYX128GAS 60~90	7/32, 1/4	8~16	0.3~2.9	1~7	3.5~6	6	33	5500

※ UTC-A/E -- UTC is available as A (Air type-Pneumatic) or E (Electric type) for machine with top cover stitch

※ UTC-AW/EW -- UTC is available as AW (Air type wiper) or EW(Electric type wiper) for machines without top cover stitch

RX9803CLW



3本針両面飾りセミシリンダー型カバーリング用マシン

3 needle, cylinder bed, top and bottom cover stitch machine for left fold covering.

Cama cilíndrica 3 agujas recubridor superior e inferior.

Para pegar elastico, con arrastrador.

3 针两面装饰线迹包边缝缝机



FRONT



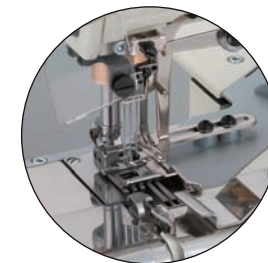
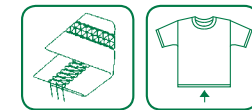
BACK

MODEL	No. of Needle	No. of Thread	Needle Type		Gauge (Inch)	No. of Stitch (Stitch/Inch)	Diff. Feed Ratio	Presser Foot Lift (mm)	Needle Bar Stroke (mm)	Max. Speed (rpm)
			Organ (#)	Schmetz (Nm)						
RX9803C RX9803CC RX9803CLW	3	5	UYX128GAS 9~14	UYX128GAS 60~90	7/32, 1/4	6~16	0.3~2.9	6	33	6000
RX9803C/UTC-A/E RX9803CC/UTC-A/E RX9803CLW/UTC-A/E	3	5	UYX128GAS 9~14	UYX128GAS 60~90	7/32, 1/4	6~16	0.3~2.9	6	33	6000
RX9803C/UTC-AW/EW RX9803CC/UTC-AW/EW RX9803CLW/UTC-AW/EW	3	5	UYX128GAS 9~14	UYX128GAS 60~90	7/32	6~16	0.3~2.9	6	33	6000

COVERING MACHINES COMPARISON | comparación de las máquinas que cubre / 盖缝机的相比

TYPE	RX9803C	RX9803CC	RX9803CLW
	STANDARD GAUGE	STANDARD GAUGE	STANDARD GAUGE
C TYPE	 STANDARD	 IN ACCESSORY BOX	 IN ACCESSORY BOX
CL TYPE		 STANDARD	 STANDARD
A TYPE		 IN ACCESSORY BOX	

RX9803ALK

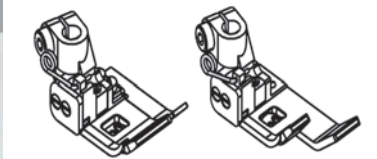


3本針両面飾りセミシリンダー裾引き用左メス付きマシン

3 needle, cylinder bed, top and bottom cover stitch machine with a fabric trimmer built in to the left of the needles for hemming

3 agujas, cama cilíndrica, recubridor superior e inferior con cuchillo izquierdo para dobladillo.

3 针两面装饰缝缝机带左切布刀



標準押え オプション
STANDARD OPTION

MODEL	No. of Needle	No. of Thread	Needle Type		Gauge (Inch)	No. of Stitch (Stitch/Inch)	Diff. Feed Ratio	Presser Foot Lift (mm)	Needle Bar Stroke (mm)	Max. Speed (rpm)
			Organ (#)	Schmetz (Nm)						
RX9802ALK	2	4	UYX128GAS 9~14	UYX128GAS 60~90	5/32, 3/16	6~16	0.3~2.9	6	33	5500
RX9803ALK	3	5	UYX128GAS 9~14	UYX128GAS 60~90	3/16, 7/32, 1/4	6~16	0.3~2.9	6	33	5500
RX9802ALK/UTC	2	4	UYX128GAS 9~14	UYX128GAS 60~90	5/32, 3/16	6~16	0.3~2.9	6	33	5500
RX9803ALK/UTC	3	5	UYX128GAS 9~14	UYX128GAS 60~90	3/16, 7/32, 1/4	6~16	0.3~2.9	6	33	5500

RX9803P



P - Gear puller
PE - Smooth puller



3本針両面飾りセミシリンダー、プラー、ゴム入れ用マシン

3 needle, cylinder bed, top and bottom cover stitch machine with rear puller for attaching elastic.

Cama cilíndrica 3 agujas recubridor superior e inferior. Para pegar elastico, con arrastrador.

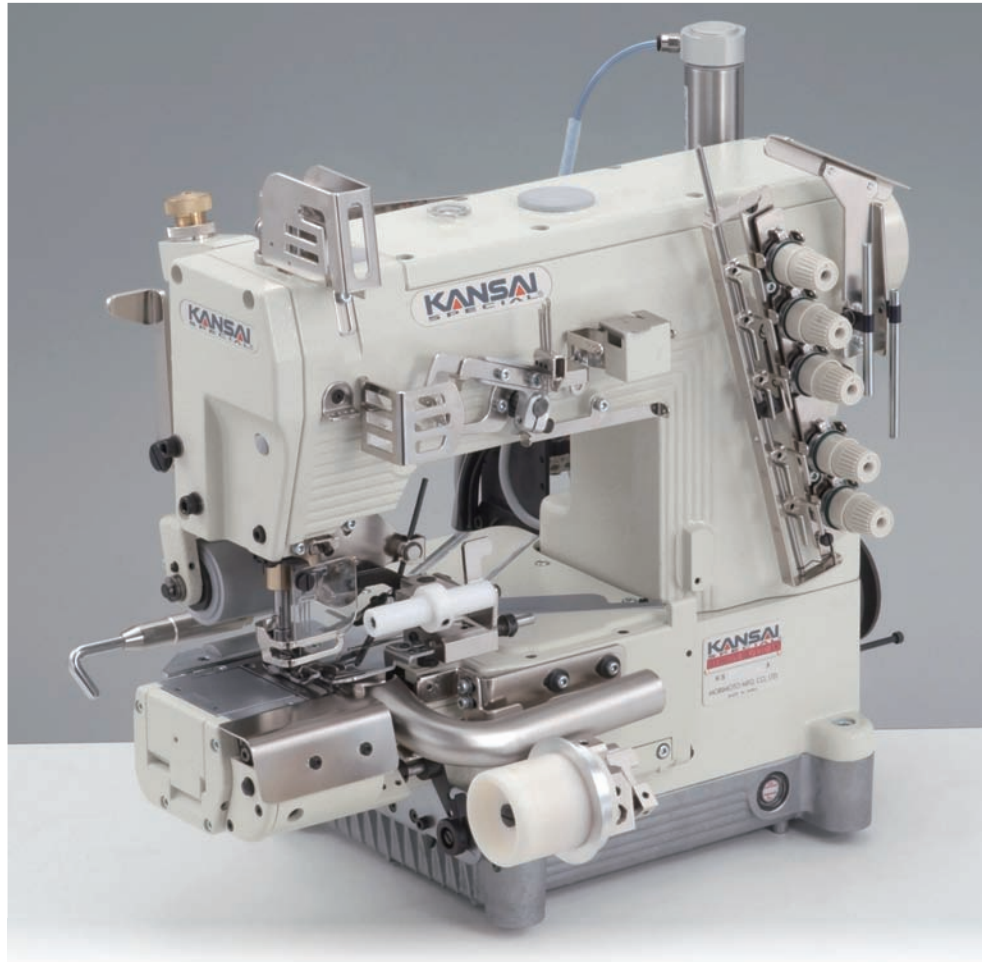
3 针两面装饰线迹缝缝机带后拖轮，可上松紧带

MODEL	No. of Needle	No. of Thread	Needle Type		Gauge (Inch)	No. of Stitch (Stitch/Inch)	Diff. Feed Ratio	Presser Foot Lift (mm)	Needle Bar Stroke (mm)	Max. Speed (rpm)
			Organ (#)	Schmetz (Nm)						
RX9803P	3	5	UYX128GAS 9~14	UYX128GAS 60~90	7/32, 1/4	6~16	0.3~2.9	6	33	4800
RX9803P/UTC-A/E RX9803P/UTC-AW/EW	3	5	UYX128GAS 9~14	UYX128GAS 60~90	7/32, 1/4	6~16	0.3~2.9	6	33	4800

※ UTC-A/E -- UTC is available as A (Air type-Pneumatic) or E (Electric type) for machine with top cover stitch

※ UTC-AW/EW -- UTC is available as AW (Air type wiper) or EW (Electric type wiper) for machines without top cover stitch

RX9803PEHK

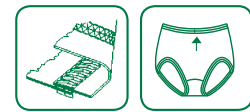


3本針下面飾りセミシリンダー天ゴム付け用マシン

3 needle, cylinder bed machine with fabric trimmer and smooth puller for attaching pre-closed elastic to men's underwears..

3 agujas, máquina de cama de cilindro con la recortadora de tejido y el puller liso por atar el preclosed elástico a las ropas interior de hombres

3 针圆筒上松紧带缝纫机



• PEHK: Smooth Puller
• PGHK: Gear puller



■ RX-PHKのメスドロップ機構 / Drop knife system El sistema de caída de cuchillo / RX-PHKの刀组前置装置

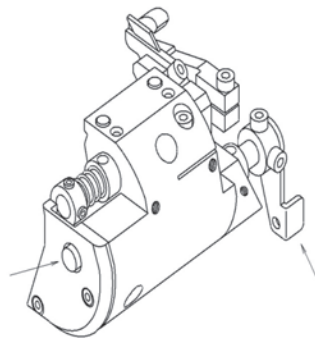
矢印のボタンとレバーにより、針板下面で上メスの駆動を止めることができます。メスを必要としない縫製の場合に、御使用ください。

By pushing Button A & Lever B, the height of the knife can be set up under the surface of the needle plate. It is useful for the sewing operation without fabric trimmer.

Empujando Botón UN & Palanca B, la altura del cuchillo puede prepararse bajo la superficie del plato de la aguja.

Es útil para el funcionamiento de la costura sin la recortadora de tejido.

使用箭头所指的按钮和连杆可以控制针板下面刀组的运动。在缝制操作不需要用刀的时候，可以采用这项功能。

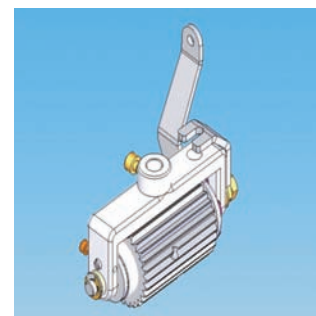


■ プーラーは仕様によりギヤーまたはゴムプーラーがご選いただけます。

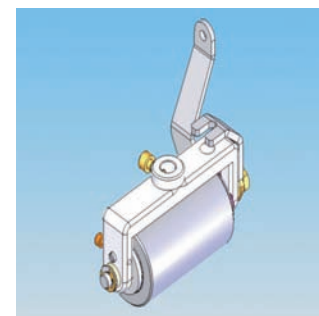
Please choose either "Gear puller (PG-HK)" or "Smooth puller (PE-HK)" depending on your specification

Se puede elegir "Puller de diente (PG-HK)" o "Puller de goma (PE-HK)" dependiendo de su especificación

根据缝制的要求可选择使用齿轮拖轮和橡胶平拖轮。



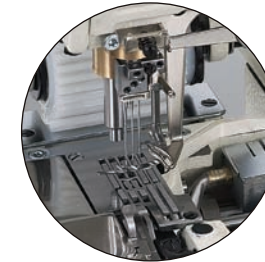
PG-HK (Gear puller)



PE-HK (Smooth puller)

MODEL	No. of Needle	No. of Thread	Needle Type		Gauge (Inch)	No. of Stitch (Stitch/Inch)	Diff. Feed Ratio	Presser Foot Lift (mm)	NeedleBar Stroke (mm)	Max. Speed (rpm)
			Organ (#)	Schmetz (Nm)						
RX9803PEHK (with smooth puller)	3	5	UYX128GAS 9~14	UYX128GAS 60~90	7/32, 1/4	8~16	0.3~2.9	5	33	4800
RX9803PGHK (with gear puller)	3	5	UYX128GAS 9~14	UYX128GAS 60~90	7/32, 1/4	8~16	0.3~2.9	5	33	4800
RX9803PEHK/UTC (with smooth puller)	3	5	UYX128GAS 9~14	UYX128GAS 60~90	7/32, 1/4	8~16	0.3~2.9	5	33	4800
RX9803PGHK/UTC (with gear puller)	3	5	UYX128GAS 9~14	UYX128GAS 60~90	7/32, 1/4	8~16	0.3~2.9	5	33	4800

RX9803PLK



INDUSTRIAL SEWING MACHINES PRODUCTS GUIDE

3本針両面飾りセミシリンダープーラー付、左メス付、ゴム入れ用マシン

3 needle, cylinder bed, top and bottom cover stitch machine with fabric trimmer and rear puller for inserting elastic.

Camra cilíndrica 3 agujas recubridor superior e inferior; con arrastrador y cuchillo de izquierdo para cortar bordes.

3 针筒式绷缝机。(带后拖轮、左切刀、上松紧带用装置)

MODEL	No. of Needle	No. of Thread	Needle Type		Gauge (Inch)	No. of Stitch (Stitch/Inch)	Diff. Feed Ratio	Presser Foot Lift (mm)	NeedleBar Stroke (mm)	Max. Speed (rpm)
			Organ (#)	Schmetz (Nm)						
RX9802PLK	2	4	UYX128GAS 9~14	UYX128GAS 60~90	5/32, 3/16	6~16	0.3~2.9	6	33	4800
RX9803PLK	3	5	UYX128GAS 9~14	UYX128GAS 60~90	7/32, 1/4	6~16	0.3~2.9	6	33	4800
RX9802PLK/UTC	2	4	UYX128GAS 9~14	UYX128GAS 60~90	5/32, 3/16	6~16	0.3~2.9	5	33	4800
RX9803PLK/UTC	3	5	UYX128GAS 9~14	UYX128GAS 60~90	7/32, 1/4	6~16	0.3~2.9	5	33	4800

RX9701J



1本針二重環縫いセミシリンダー裾三ツ巻用マシン

1 needle, cylinder bed, double chain stitch machine with three ply hemming folder.

1 aguja, cama del cilindro, máquina de puntada de cadena doble con tres cabo que dobladilla la carpeta,

单针牛仔卷边、筒式、双重环缝纫机

MODEL	No. of Needle	No. of Thread	Needle Type		Gauge (Inch)	No. of Stitch (Stitch/Inch)	Diff. Feed Ratio	Presser Foot Lift (mm)	NeedleBar Stroke (mm)	Max. Speed (rpm)
			Organ (#)	Schmetz (Nm)						
RX9701J	1	2	TVX5 21			6~11		8	34	4000
RX9701J-CD/UTC	1	2	TVX5 21			6~11		8	34	4000

REX9803MG

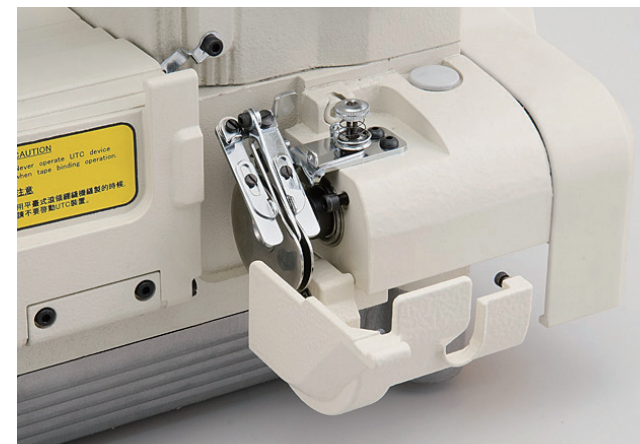


3本針両面飾り縫い外部ハマグリ機構
マシン マルチゲージ(A,D,C,CL,F)

3 needle, cylinder bed, top and bottom cover stitch machine with exterior looper thread takeup cam(5 type gauge sets included).

3 agujas, cama del cilindro, cima y máquina de puntada de tapa de fondo con looper exterior enhebran la toma a la leva (5 juegos de medida de tipo incluyeron)

3 针两面缝装饰绷缝机 (筒式台, 打线器设定在外边, 可以选各种针位)

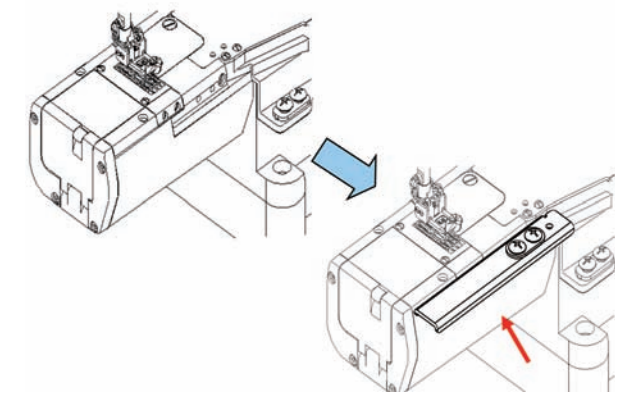


Tape binding / Pegar cinta / 滚条

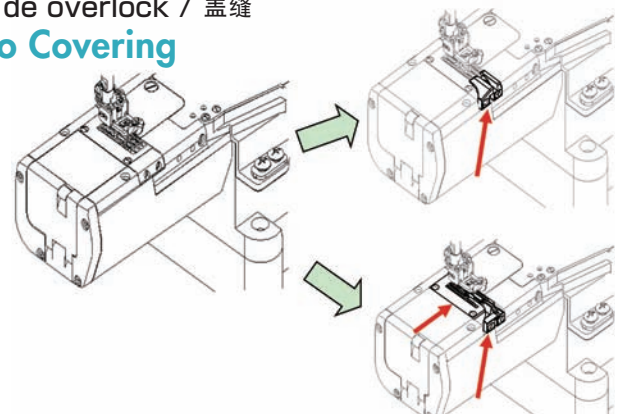
MODEL	No. of Needle	No. of Thread	Needle Type		Gauge (Inch)	No. of Stitch (Stitch/Inch)	Diff. Feed Ratio	Presser Foot Lift (mm)	NeedleBar Stroke (mm)	Max. Speed (rpm)
			Organ (#)	Schmetz (Nm)						
REX9802MG	2	4	UYX128GAS 9~14	UYX128GAS 60~90	3/16	6~16	0.3~2.9	6	33	6000
REX9803MG	3	5	UYX128GAS 9~14	UYX128GAS 60~90	7/32, 1/4	6~16	0.3~2.9	6	33	6000
※ REX9802MG/UTC-A/E REX9802MG/UTC-AW/EW	2	4	UYX128GAS 9~14	UYX128GAS 60~90	3/16	6~16	0.3~2.9	6	33	6000
※ REX9803MG/UTC-A/E REX9803MG/UTC-AW/EW	3	5	UYX128GAS 9~14	UYX128GAS 60~90	7/32, 1/4	6~16	0.3~2.9	6	33	6000

※ UTC-A/E -- UTC is available as A (Air type-Pneumatic) or E (Electric type) for machine with top cover stitch

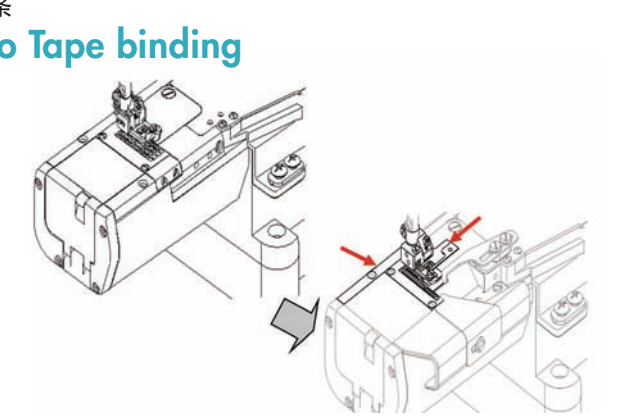
D type Plain / Puntada regular / 辅助平台 Plain



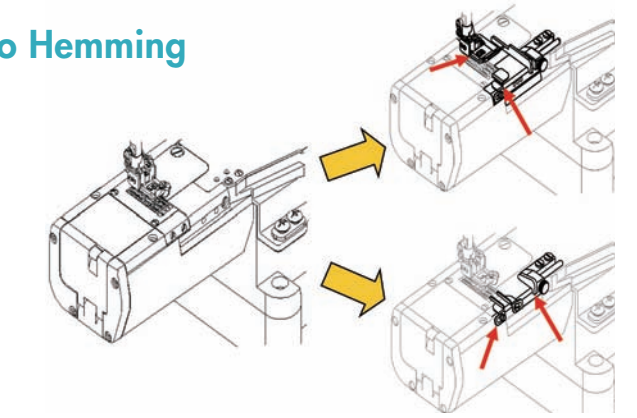
C/CL type Covering / Cubrir costuras de overlock / 盖缝 Plain to Covering



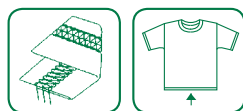
F type Tape binding / Pegar cinta / 滚条 Plain to Tape binding



A type Hemming / Doblado / 折下摆 Plain to Hemming



REX9803D

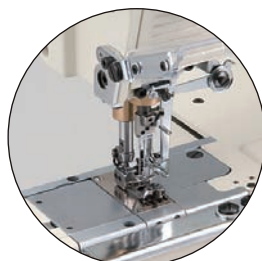


3本針両面飾り縫いセミシリンダー外部
ハマグリ機構マシン

3 needle, cylinder bed, top and
bottom cover stitch machine with
exterior looper thread takeup cam.

3 agujas, cama del cilindro, cima
y máquina de puntada de tapa de
fondo con looper exterior enhebran
la toma a la leva

3 针两面缝装饰绷缝机
(筒式台, 打线器设定在外边)



MODEL	No. of Needle	No. of Thread	Needle Type		Gauge (Inch)	No. of Stitch (Stitch/Inch)	Diff. Feed Ratio	Presser Foot Lift (mm)	Needle Bar Stroke (mm)	Max. Speed (rpm)
			Organ (#)	Schmetz (Nm)						
REX9802D	2	4	UYX128GAS 9~14	UYX128GAS 60~90	3/16	6~16	0.3~2.9	6	33	6000
REX9803D	3	5	UYX128GAS 9~14	UYX128GAS 60~90	7/32, 1/4	6~16	0.3~2.9	6	33	6000
※ REX9802D/UTC-A/E REX9802D/UTC-AW/EW	2	4	UYX128GAS 9~14	UYX128GAS 60~90	3/16	6~16	0.3~2.9	6	33	6000
※ REX9803D/UTC-A/ ERE9803D/UTC-AW/EW	3	5	UYX128GAS 9~14	UYX128GAS 60~90	7/32, 1/4	6~16	0.3~2.9	6	33	6000

REX9803CL



3本針両面飾りセミシリンダー、外部
ハマグリ機構カバーリング用マシン
マルチゲージ(A,D,C,CL)

3 needle, cylinder bed, top and
bottom cover stitch machine with
exterior looper thread takeup
cam(4 type gauge set included).

3 agujas, cama del cilindro, cima
y máquina de puntada de tapa de
fondo con looper exterior enhebran
la toma a la leva(4 juegos de
medida de tipo incluyeron)

3 针两面缝装饰, 单面到盖缝绷缝机
(筒式台, 打线器设定在外边, 可以选各
种针位)

REX9803C

REX9803CL

MODEL	No. of Needle	No. of Thread	Needle Type		Gauge (Inch)	No. of Stitch (Stitch/Inch)	Diff. Feed Ratio	Presser Foot Lift (mm)	Needle Bar Stroke (mm)	Max. Speed (rpm)
			Organ (#)	Schmetz (Nm)						
REX9802CL	2	4	UYX128GAS 9~14	UYX128GAS 60~90	3/16	6~16	0.3~2.9	6	33	6000
REX9803CL	3	5	UYX128GAS 9~14	UYX128GAS 60~90	7/32, 1/4	6~16	0.3~2.9	6	33	6000
※ REX9802CL/UTC-A/E REX9802CL/UTC-AW/EW	2	4	UYX128GAS 9~14	UYX128GAS 60~90	3/16	6~16	0.3~2.9	6	33	6000
※ REX9803CL/UTC-A/E REX9803CL/UTC-AW/EW	3	5	UYX128GAS 9~14	UYX128GAS 60~90	7/32, 1/4	6~16	0.3~2.9	6	33	6000

※ UTC-A/E -- UTC is available as A (Air type-Pneumatic) or E (Electric type) for machine with top cover stitch

※ UTC-AW/EW -- UTC is available as AW (Air type wiper) or EW(Electric type wiper) for machines without top cover stitch

IRX OTHER SERIES | TECHNICAL DATA 仕様明細

MODEL	No. of Needle	No. of Thread	Needle Type		Gauge(Inch)	No. of Stitch (Stitch/Inch)	Diff. Feed Ratio	Upper Feed Amount (mm)		Presser Foot Lift (mm)	Needle Bar Stroke (mm)	Max. Speed (rpm)
			Organ (#)	Schmetz (Nm)				←	↑			
REX9802C	2	4	UYX128GAS 9~14	UYX128GAS 60~90	3/16, 7/32, 1/4	6~16	0.3~2.9			6	33	6000
※ REX9802C/UTC-A/E	2	4	UYX128GAS 9~14	UYX128GAS 60~90	3/16, 7/32, 1/4	6~16	0.3~2.9			6	33	6000
REX9803-CHD	3	5	UYX128GAS 9~14	UYX128GAS 60~90	7/32, 1/4	6~16	0.3~2.9			6	33	6000
※ REX9803-CHD/ UTC-A/E	3	5	UYX128GAS 9~14	UYX128GAS 60~90	7/32, 1/4	6~16	0.3~2.9			6	33	6000
REX9802P	2	4	UYX128GAS 9~14	UYX128GAS 60~90	5/32, 3/16	6~16	0.3~2.9			6	33	4800
REX9802P/UTC-A/E	2	4	UYX128GAS 9~14	UYX128GAS 60~90	5/32, 3/16	6~16	0.3~2.9			6	33	4800
REX9803-AHD	3	5	UYX128GAS 9~14	UYX128GAS 60~90	7/32, 1/4	6~16	0.3~2.9			6	33	6000
※ REX9803-AHD/ UTC-A/E	3	5	UYX128GAS 9~14	UYX128GAS 60~90	7/32, 1/4	6~16	0.3~2.9			6	33	6000
REX9803C-UF	3	5	UYX128GAS 9~14	UYX128GAS 60~90	7/32, 1/4	8~16	0.3~2.9	1~7	3.5~6	6	33	5500
※ REX9803C-UF/ UTC-A/E	3	5	UYX128GAS 9~14	UYX128GAS 60~90	7/32, 1/4	8~16	0.3~2.9	1~7	3.5~6	6	33	5500
※ REX9802C-UF	2	4	UYX128GAS 9~14	UYX128GAS 60~90	3/16	8~16	0.3~2.9	1~7	3.5~6	6	33	5500
※ REX9802C-UF/ UTC-A/E	2	4	UYX128GAS 9~14	UYX128GAS 60~90	3/16	8~16	0.3~2.9	1~7	3.5~6	6	33	5500

※ UTC-A/E -- UTC is available as A (Air type-Pneumatic) or E (Electric type) for machine with top cover stitch

※ UTC-AW/EW -- UTC is available as AW (Air type wiper) or EW(Electric type wiper) for machines without top cover stitch

DM (Direct motor) is available for machines with UTC device only. (UTC-A/E-DM, UTC-AW/EW-DM)